

 **CIGNUS *Radio***

# **NX-300**



## **Quick Operation Instructions**

Thank you for purchasing NX-300. Please read this manual carefully before use.

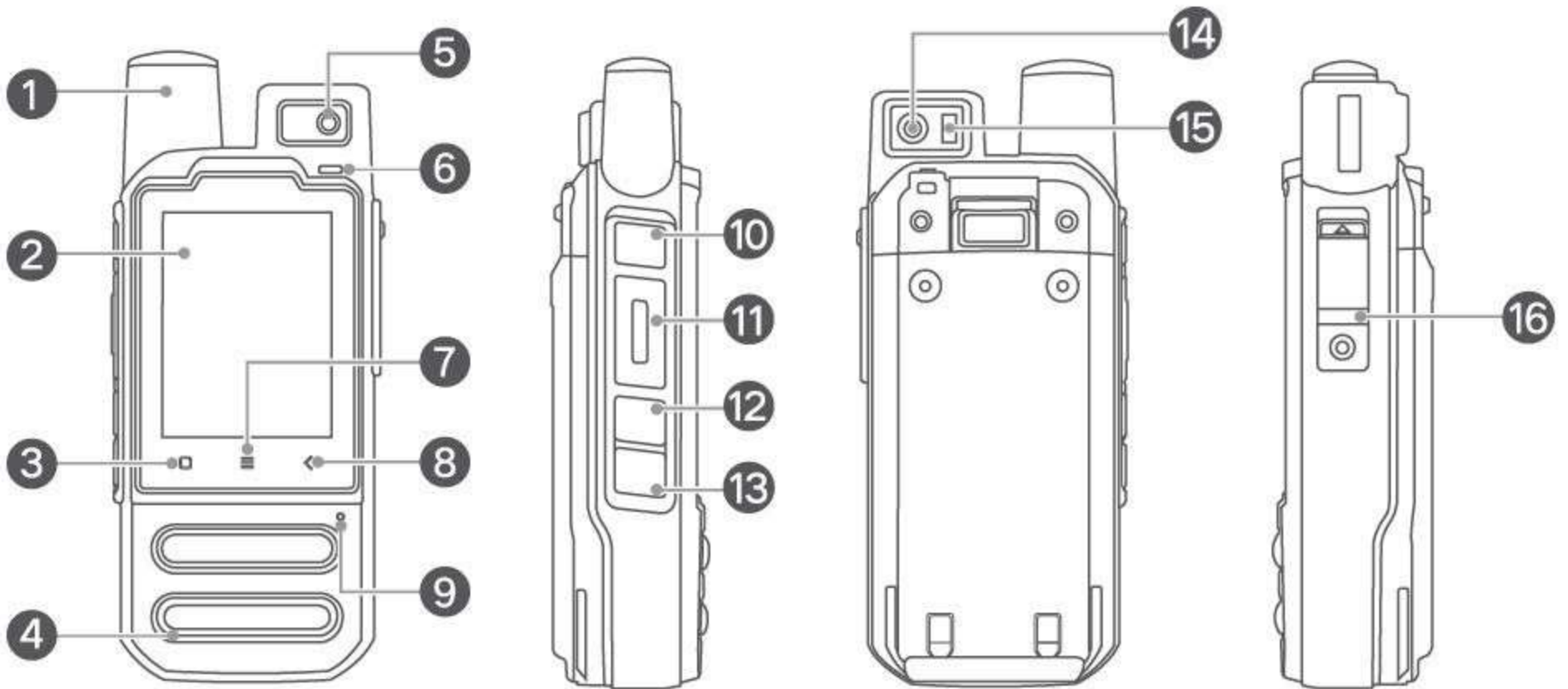
---

## Packing List

No.	Item	Quantity(PCS)
①	Radio	1
②	Battery	1
③	Power Adapter	1
④	Belt Clip	1
⑤	Hand Strap	1
⑥	User Manual	1

---

## Product Overview

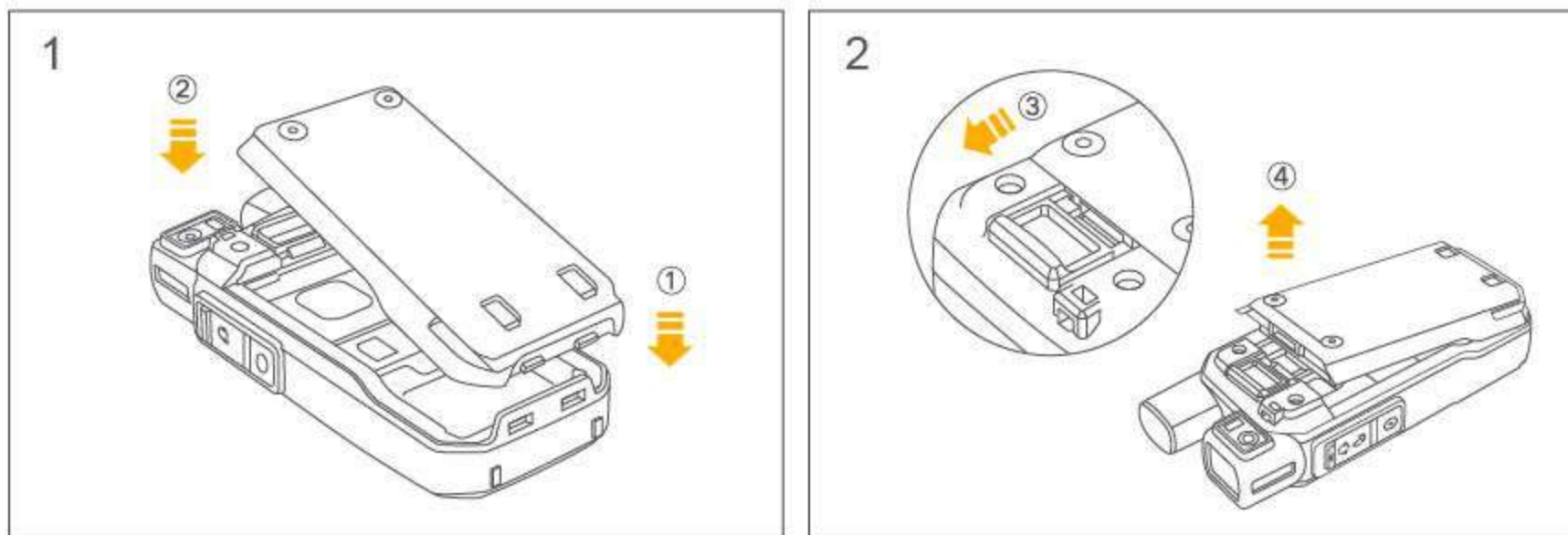


---

No.	Part Name	No.	Part Name
①	Antenna	⑨	Microphone
②	LCD Display	⑩	On-off Key/Sleep- wake key
③	Multitasking Key	⑪	PTT Key
④	Speaker	⑫	Volume Up Key
⑤	Front Camera	⑬	Volume Down Key
⑥	LED Indicator	⑭	Rear Camera
⑦	HOME Key	⑮	Flashlight
⑧	Back Key	⑯	USB Type C Port

---

## Installing/Removing the battery

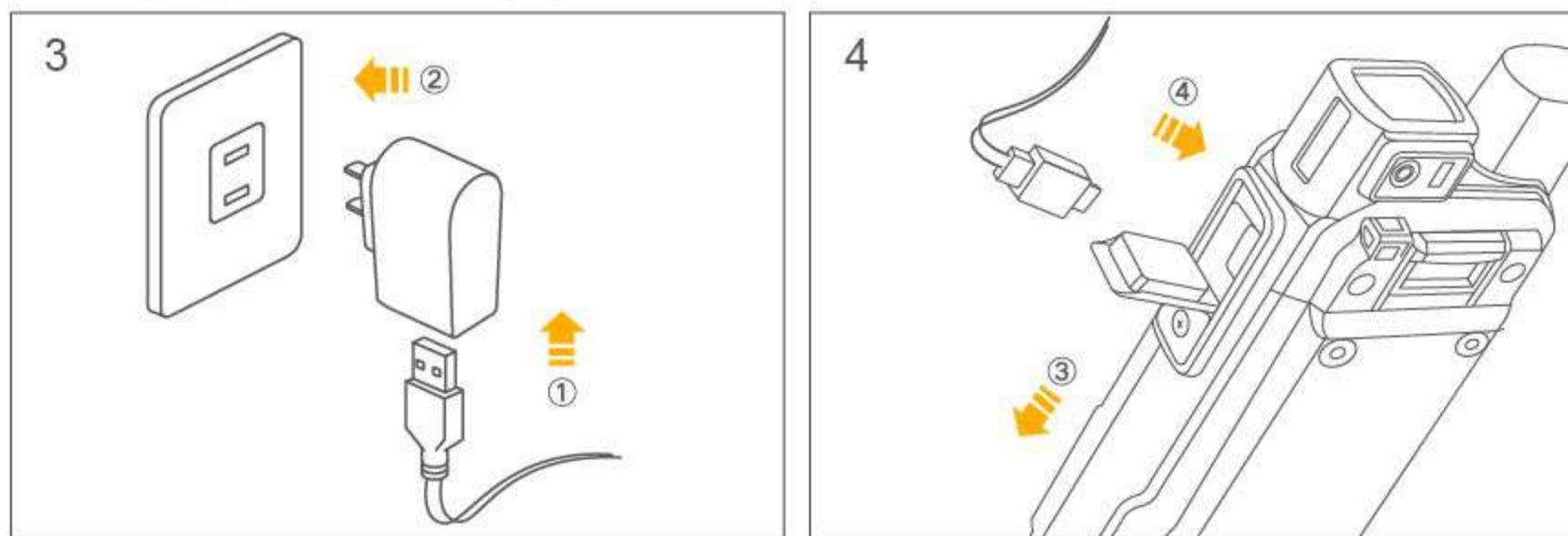


1. Fit the extensions at the bottom of the battery into the bottom slots on the radio as figure 1. Press the top part of the battery toward the radio until you hear a click.

2. To remove the battery pack, slide the release latch at the top away from the battery and remove the pack away from the radio as figure 2.

---

## Charging the battery pack



1. As shown in Figure 3, connect the charging cable to the power adapter, and plug the power adapter into the AC power socket.

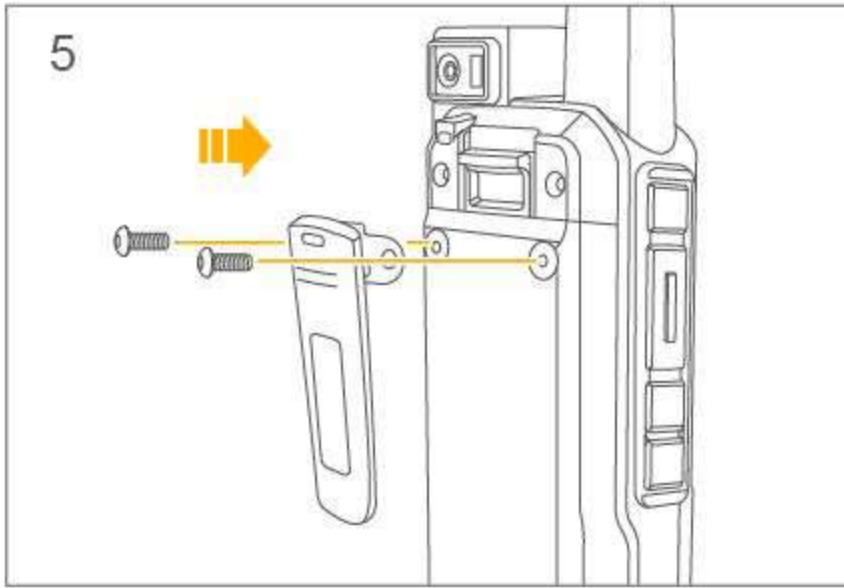
2. As shown in Figure 4, open the accessory jack cover and insert the charging cable into the TYPE-C port of the radio that has the battery installed.

3. When radio shutting down for charging, the red indicator light lights up to indicate charging has started, and the green indicator light indicates charging is completed.

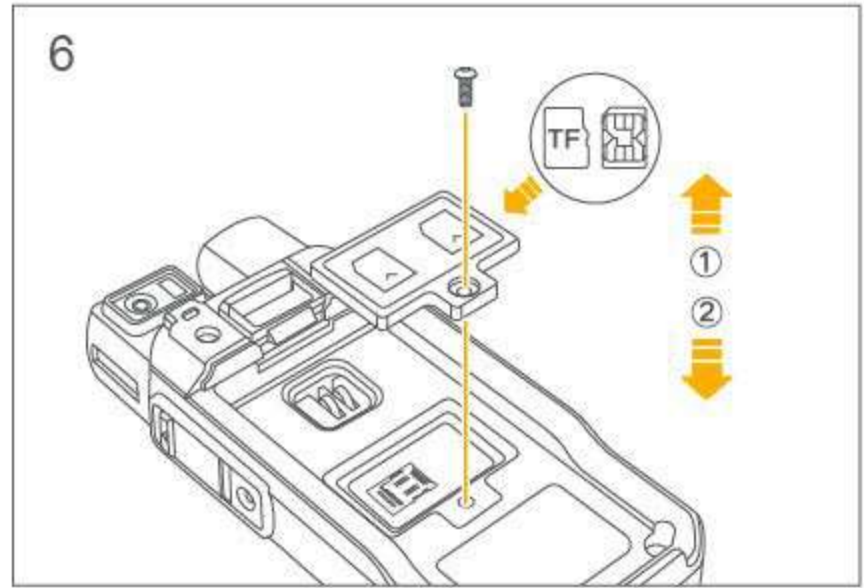
\* Close the accessory connector cover when no accessory is in use.

---

## Installing/ Removing the belt clip



## Installing SIM Card / TF Card

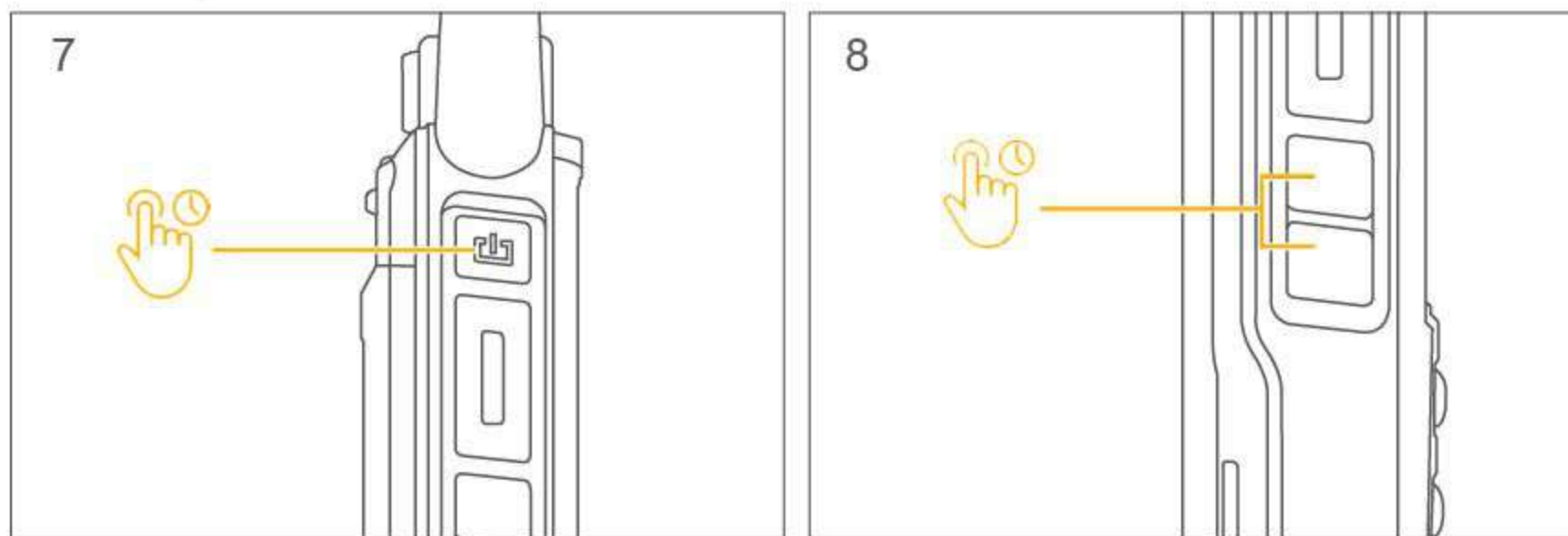


1. Installing the belt clip: Place the belt clip above the corresponding holes on the back of the radio, and screw it into place clockwise with the two supplied screws as figure 5.

2. Removing the belt clip: Unscrew counter-clockwise to remove the belt clip. As shown in Figure 6, loosen the fixing screws of the card cover, then remove the card cover and insert the SIM/TF card. After the card is installed, the card cover must be installed and the screws must be tightened.

---

## Basic operations



### 1. Power ON/OFF the radio

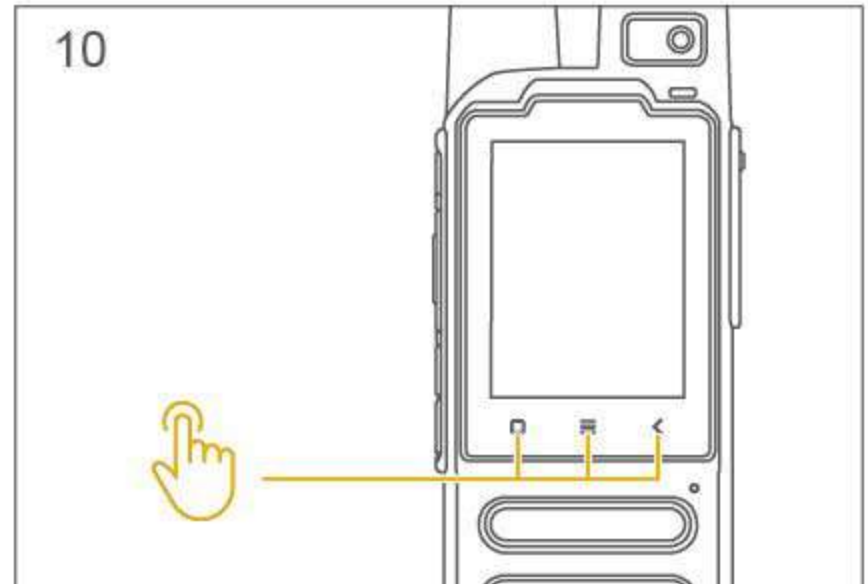
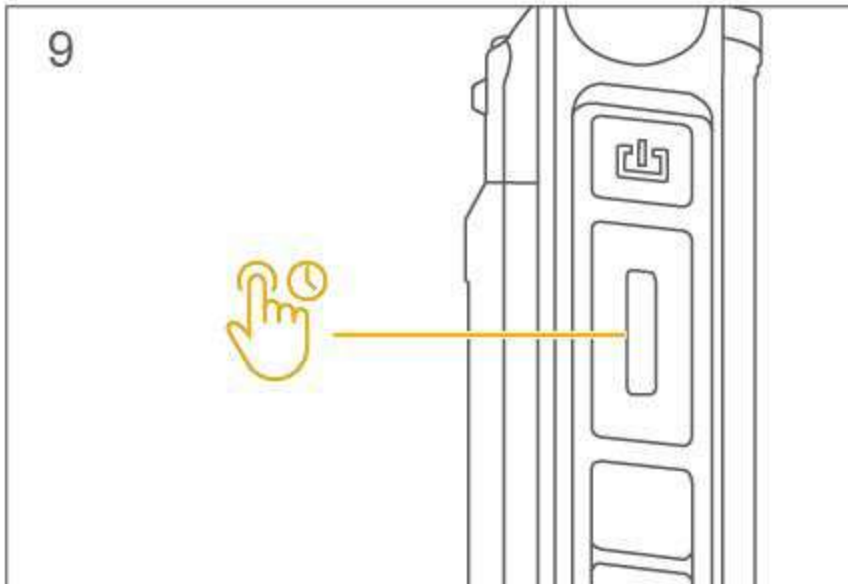
As shown in Figure 7, long press the power button until the screen lights up to turn on the radio. To turn off the radio, long press the power button until the shutdown prompt appears.

Note: When you turn on the radio for the first time after changing the SIM card of a different operator, it may automatically shut down. This is normal. Just restart the radio.

### 2. Adjust Volume

As shown in Figure 8, short press Volume + and Volume - to adjust the volume.



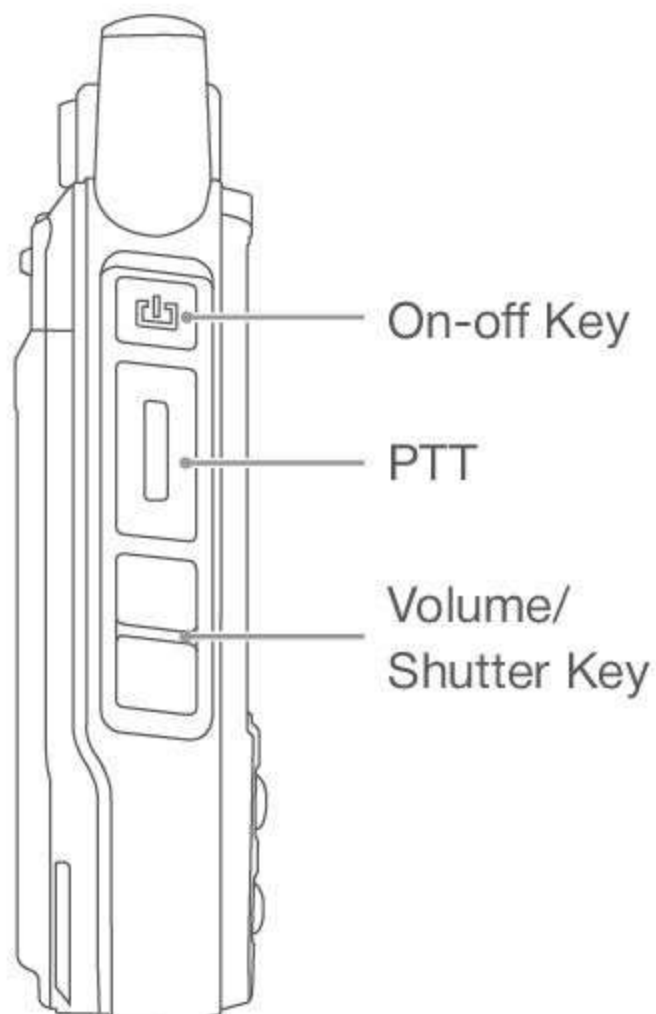
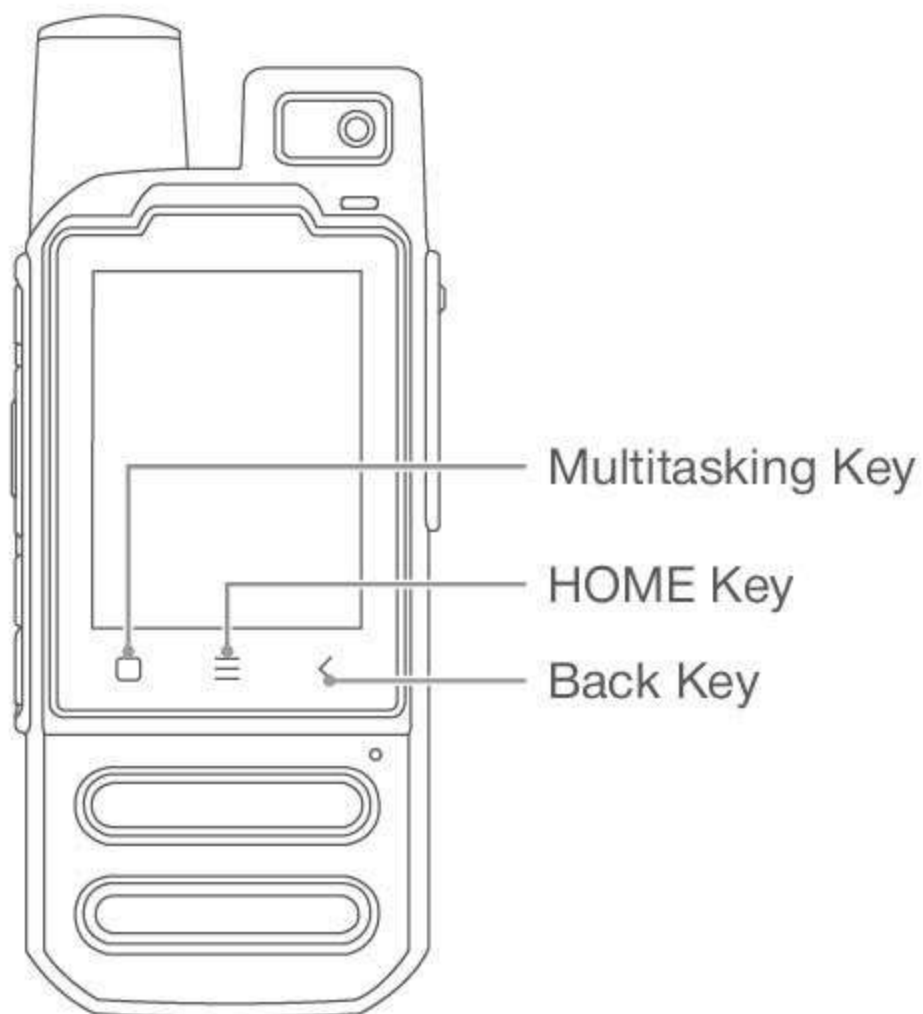


### 3. Push To Talk

As shown in Figure 9, press and hold the PTT switch to make a call, then speak into the microphone using your normal speaking voice. Release PTT switch to receive.

---

## Function Operation



---

Part Name	Description
Multitasking Key	Tap to view/select background task programs
HOME Key	Tap to return to the main home screen
Back Key	<p>Tap to open the previous screen that you were working in.</p> <p>Long press to open the multitasking manager: wallpaper, widgets, settings, etc.</p> <p>Long press to unlock the screen and enter the home screen.</p>
On-off Key	<p>Power on/off, lock screen, screen wake-up</p> <p>Long press to turn on, restart or shut down the radio</p> <p>Short press to turn off the screen or wake up the screen</p>




---

Part Name	Description
PTT	Press and hold the PTT button to talk
Volume / Shutter Key	<p>In standby mode, short press the volume + button to increase the volume.</p> <p>In standby mode, short press the volume - button to reduce the volume.</p> <p>In the camera function, it can be used as a shutter button.</p>



---

## Operation Gestures

1. Operate radio buttons, menus, icons, virtual keys and other items through gestures.
2. Due to the particularity of the radio system and operation method, different gestures are required to operate the radio. The gestures used for operation are as follows:

Operation	Illustration	Description
Tap		Lightly touch the screen once with your finger.
Long Press		Press and hold the icon to enter edit mode or pop-up menu on the desktop, list, etc areas.
Swipe		Tap and hold the screen lightly and slide, the target area will follow the direction of the finger.

---

Operation	Illustration	Description
Two-finger Zoom		In some programs such as pictures, you can zoom in or out with two fingers on the screen.
Drag		Hold down the icon with your finger and move your finger to drag the icon.
Double Tap		Tap the screen twice in succession.

---

## Troubleshooting

Phenomena	Analysis	Solution
The device cannot be turned on	The battery may be installed improperly.	Remove and reattach the battery.
	The battery power may run out.	Recharge or replace the battery.
	The battery may suffer from poor contact caused by dirtied or damaged battery contacts.	Clean the battery contacts.
The touch screen fails to respond to any taps.	Too many apps may be running.	Forcibly stop some apps or restart the device.
The device cannot access the mobile network	The SIM card may be abnormal or out of service due to unpaid charges.	Make sure the SIM card functions properly. Pay the charges, and then restart the device.
	The Mobile Data feature may be not enable for the SIM card.	Contact the carrier.
	The signal may be weak.	Make sure the device is within the network coverage.

Phenomena	Analysis	Solution
The device cannot be turned on	Both the mobile data and WLAN network may be turned on, but the WLAN connection is unstable.	Turn the WLAN off.
The sound is too low, unstable, or muted.	The signal may be weak.	Make sure call participants are within the communication range.
	The volume may be too low.	Increase the volume.
	The speaker may be blocked or damaged.	Clean or replace the speaker.
The camera does not work.	The device may not detect the front or rear camera.	Restart the device.
	The storage space may be insufficient.	Free up the storage space.
The device fails to detect the SIM card or SD card.	The SIM card or SD card may be installed improperly.	Remove and reattach the SIM card or SD card.
	The SIM card or SD card may suffer from poor contact caused by dirtied or damaged metal contacts.	Clean the metal contacts of the SIM card or SD card.



---

## Care and Cleaning

To guarantee optimal performance as well as a long service life of the device, follow the tips below.

### Product Care

Do not pierce or scrape the device(including the screen) with hard or sharp objects.

Do not drop the device or collide with other objects.

Keep the device far away from substances that can corrode the circuitry.

Do not hold the device by the earpiece cable.

### Product Cleaning

**CAUTION:** Turn the device off and remove the battery before cleaning.

Clean up the dust and fine particles on the device surface and charging contacts with a clean and dry lint-free cloth or a brush regularly.

Use neutral cleanser and a non-woven fabric to clean the screen, keys, and front case after long-time uses. Do not use chemical preparations such as stain removers, alcohol, sprays or oil preparations, so as to avoid surface case damage.

Make sure the device is completely dry before use.

---

## **Disclaimer**

All the specifications and designs are subject to change without notice due to continuous technological development.

No part of this manual may be copied, modified, translated, or distributed in any manner without the prior written consent of the Company.